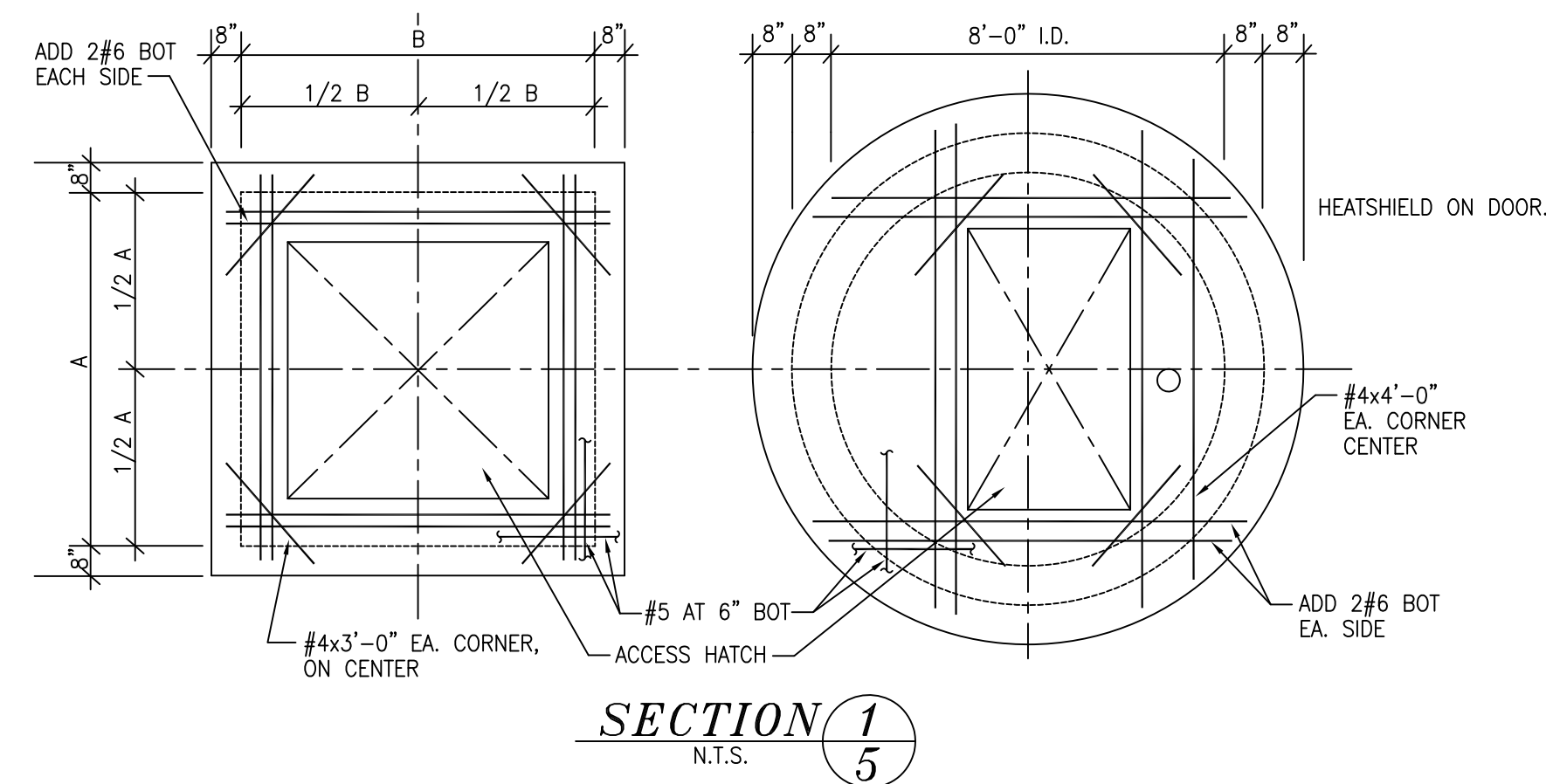
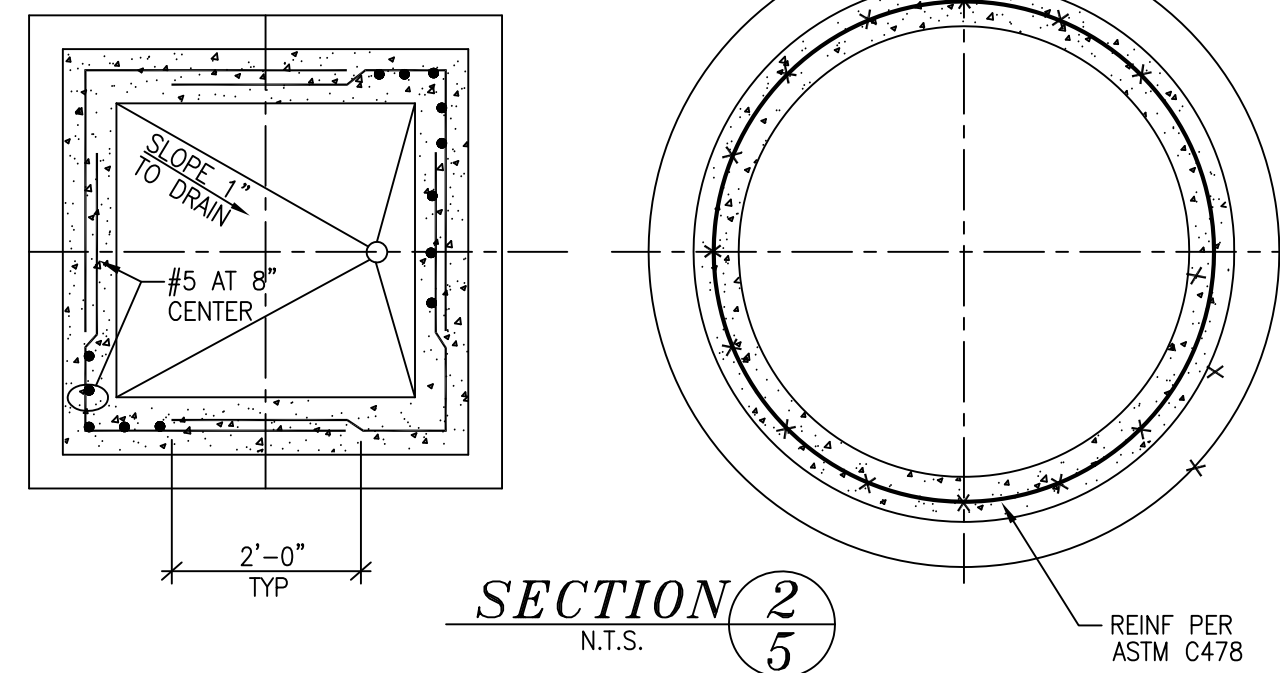


POST LIGHT DETAIL



SECTION 1/5  
N.T.S.



SECTION 2/5  
N.T.S.

**CAST IN PLACE CONCRETE**

ALL MATERIAL AND METHODS OF CONSTRUCTION SHALL BE IN ACCORDANCE WITH ACI-308R AND ACI-318 REQUIREMENTS. CONCRETE: 28-DAY COMPREHENSIVE STRENGTH-4000 PSI, CEMENT-TYPE II AIR-ENTRAINING WATER REDUCING ADMIXTURES-PER SPECIFICATIONS.

**PRE-CAST CONCRETE**

MATERIALS AND METHODS OF CONSTRUCTION SHALL BE PER SPECIFICATIONS. CONTRACTOR SHALL PREPARE DETAILED PLACEMENT DRAWINGS AND SCHEDULES IN CONFORMANCE WITH ACI-315 REQUIREMENTS, FOR ENGINEER'S REVIEW.

**REINFORCEMENT**

REINFORCEMENT SHALL CONFORM TO ASTM A615-GRADE 60 REQUIREMENTS. ALL ACCESSORIES SHALL BE IN CONFORMANCE WITH ACI-315 REQUIREMENTS. THE CONTRACTOR SHALL PREPARE DETAILED PLACEMENT DRAWINGS AND SCHEDULES IN CONFORMANCE WITH ACI-315 REQUIREMENTS, FOR ENGINEER'S REVIEW.

**FOUNDATION DEWATERING/FLOATATION**

FOUNDATION DEWATERING SHALL BE MAINTAINED UNTIL FOUNDATION EXCAVATION IS TOTALLY BACKFILLED. CONTRACTOR SHALL PROTECT THE STRUCTURE AGAINST FLOATATION, UNTIL THE STRUCTURE IS PUT INTO SERVICE.

**REQUIRED SPARE PARTS**

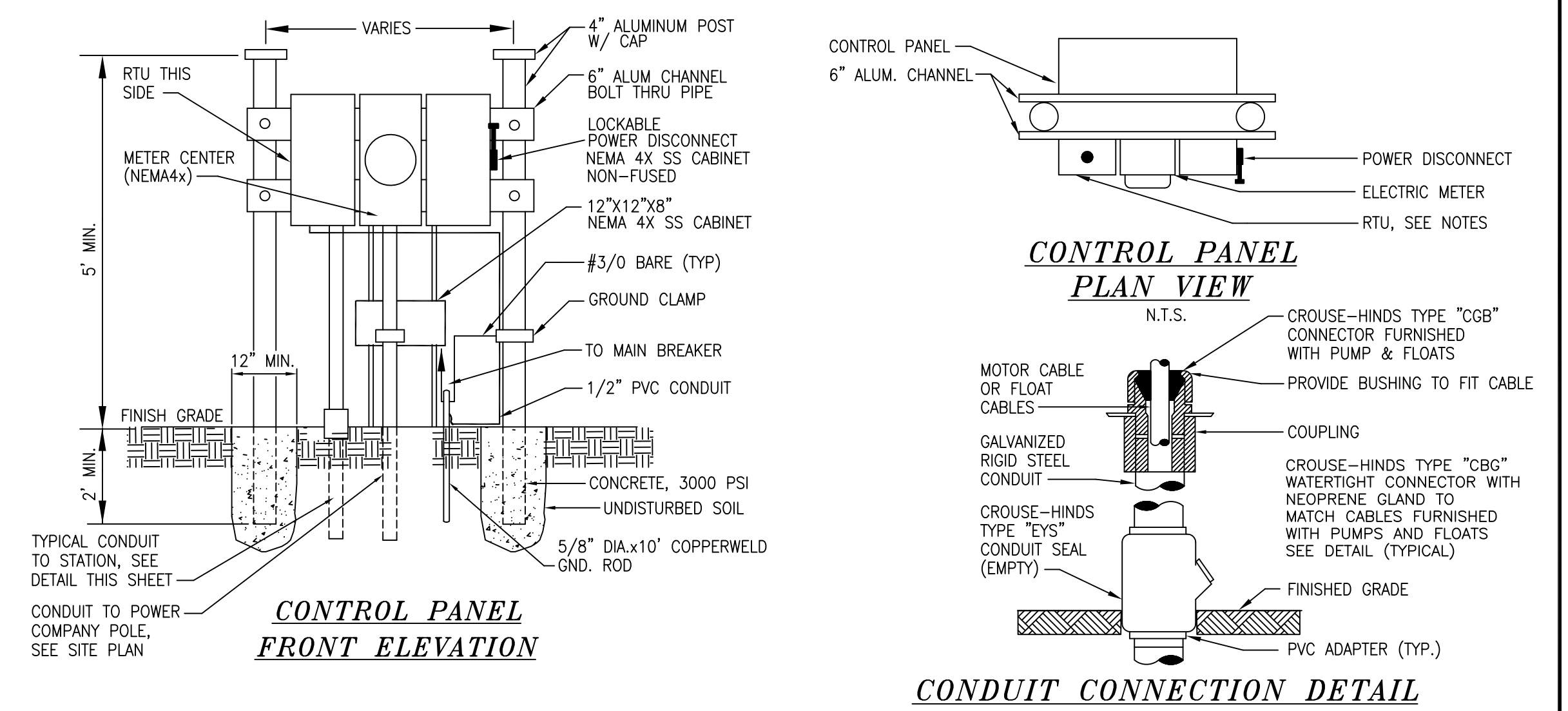
A. ONE (1) SET OF ALL SPECIAL TOOLS REQUIRED FOR NORMAL OPERATION AND MAINTENANCE SHALL BE PROVIDED. ALL SUCH TOOLS SHALL BE FURNISHED IN A SUITABLE STEEL TOOL CHEST COMPLETE WITH LOCK AND DUPLICATE KEYS.

B. SPARE PARTS SHALL BE PROPERLY PACKAGED AND LABELED FOR EASY IDENTIFICATION WITHOUT OPENING THE PACKAGING AND SUITABLY PROTECTED FOR LONG TERM STORAGE UNDER HUMID CONDITIONS. THE MANUFACTURER SHALL FURNISH THE FOLLOWING SPARE PARTS FOR EACH PUMP SUPPLIED:

1. ONE (1) UPPER BEARING.
2. ONE (1) LOWER BEARING.
3. ONE (1) SET OF UPPER AND LOWER SHAFT SEALS.
4. ONE (1) SET OF "O-RINGS" OR GASKETS REQUIRED FOR REPLACEMENT OF BEARINGS AND SEALS.
5. ONE (1) IMPELLER WEAR RING.
6. ONE (1) SHAFT SLEEVE, IF APPLICABLE.
7. ONE (1) CABLE CAP, IF APPLICABLE.
8. ONE (1) INFLUENT DEBRIS CAGE.

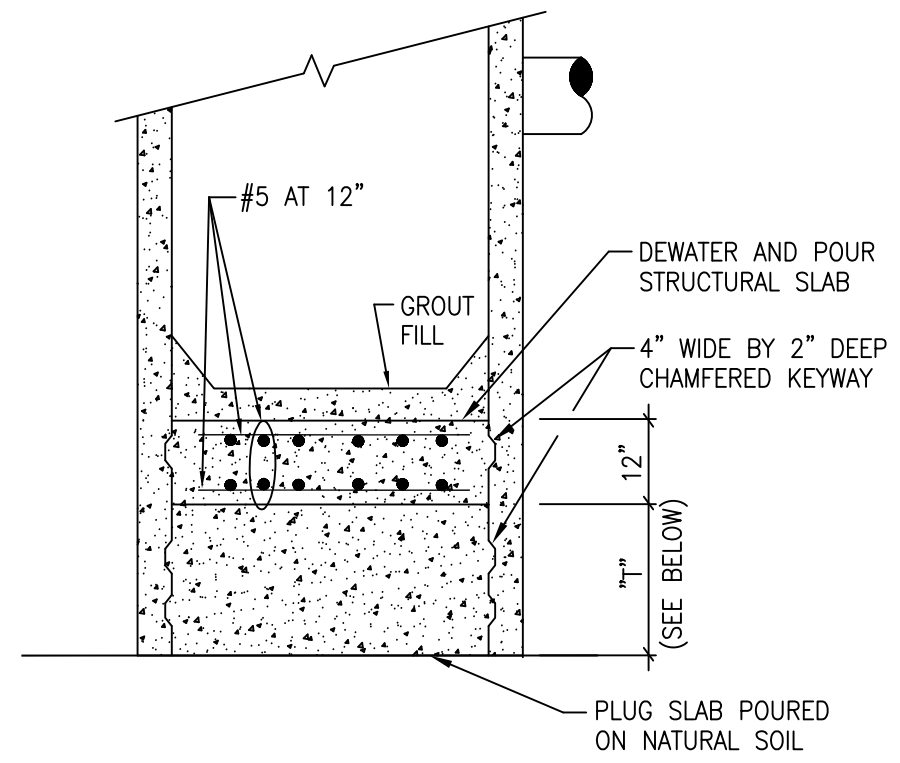
C. THE ELECTRICAL SPARE PARTS - DIGITAL CONTROL CORPORATION.

- DUPLEX CONTROLLER MODEL #11928
- TRIPLEX CONTROLLER MODEL #11967



CONTROL PANEL FRONT ELEVATION

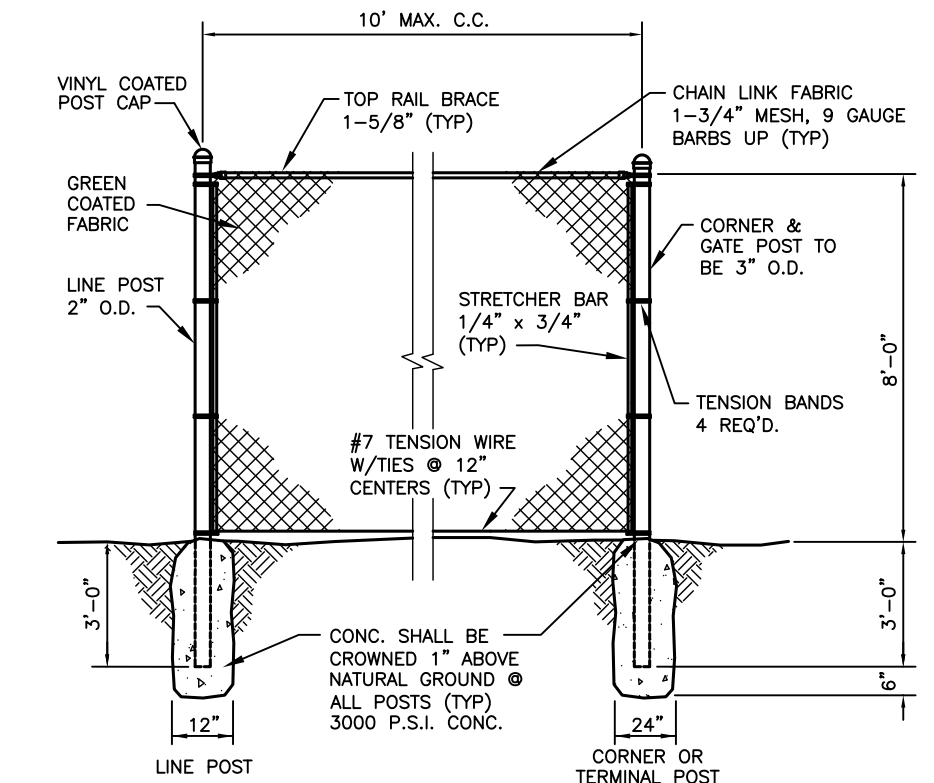
CONDUIT CONNECTION DETAIL



	8'-0" I.D. PUMP STATION			
DEPTH OF P.S.	0' TO 12'	13' TO 18'	19' TO 22'	23' TO 26'
PLUG SLAB "T"	12"	24"	30"	36"

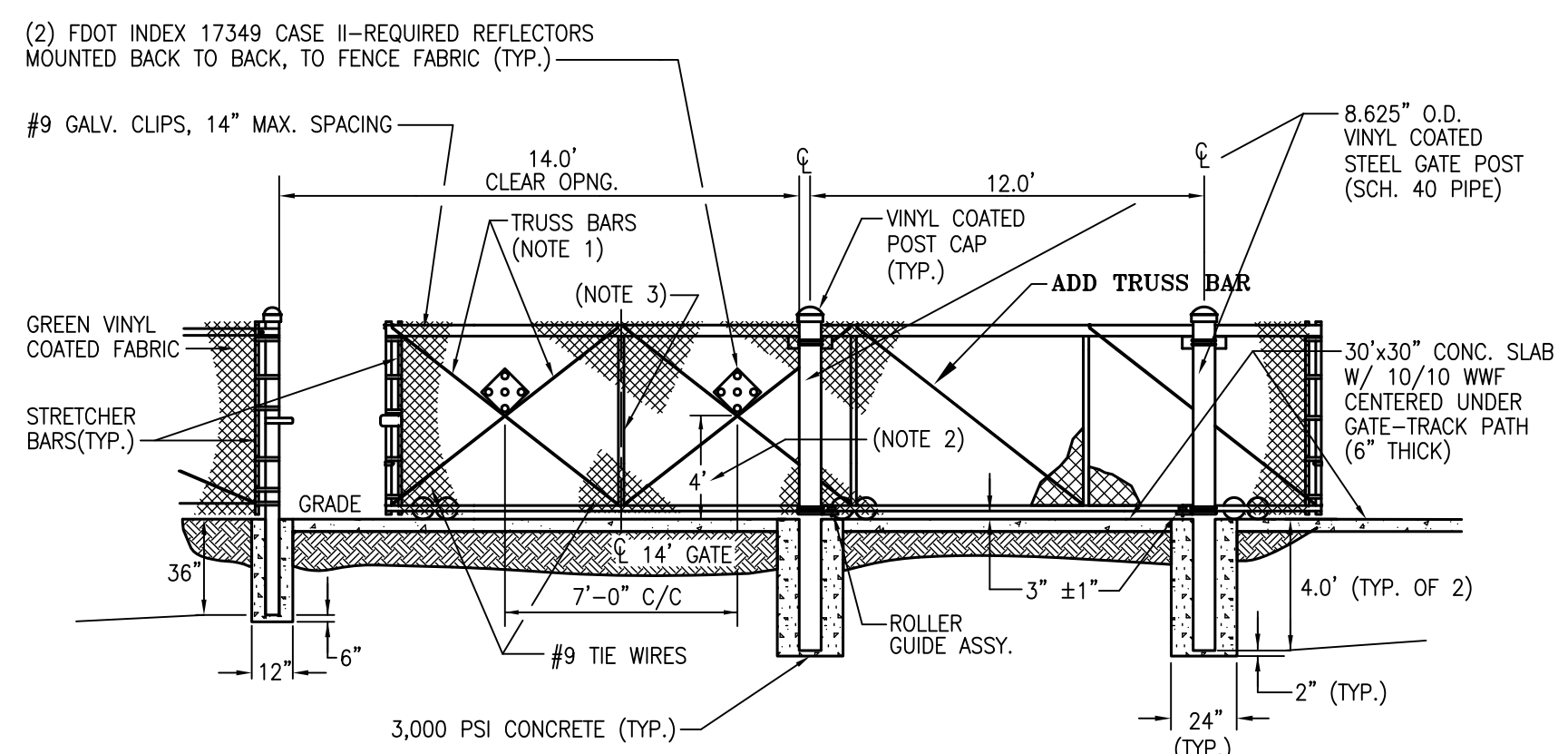
DEPTH OF P.S. REFERS TO TOP OF PUMP STATION SLABS TO STRUCTURAL SLAB BOTTOM OF WETWELL

OPTIONAL BASE SLAB CONSTRUCTION  
N.T.S.



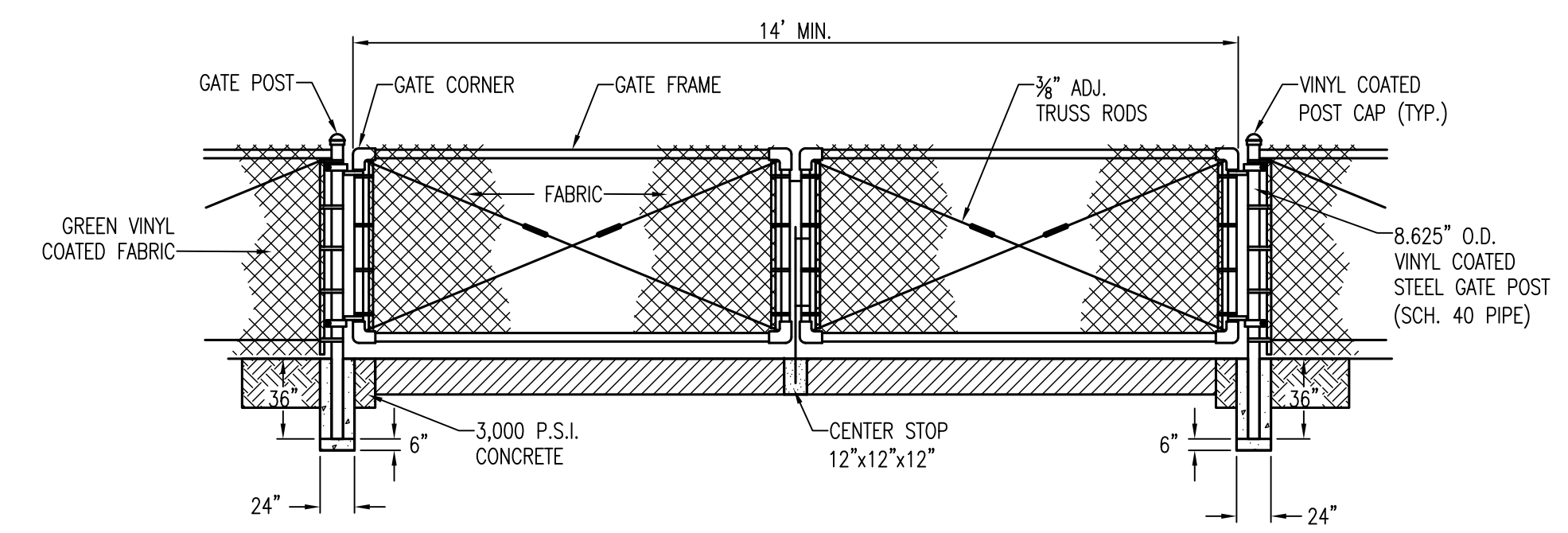
- FENCE NOTES:**
1. CHAIN LINK FABRIC SHALL BE 1 3/4" MESH (TWISTED & BARBED). WIRE SHALL BE 9 GAUGE GALVANIZED. BARBS ARE TO BE INSTALLED UPWARD.
  2. CORNER AND GATE POSTS SHALL BE GALVANIZED STEEL PIPE 3" NOMINAL DIA., SCHEDULE 40, EMBEDDED 3' INTO THE GROUND.
  3. LINE POSTS SHALL BE GALVANIZED STEEL PIPE 2" NOMINAL DIA., SCHEDULE 40, EMBEDDED 3' INTO GROUND. SPACING SHALL BE 10' MAX. CENTER TO CENTER WITH HORIZONTAL SUPPORT.
  4. TOP RAIL SHALL BE GALVANIZED STEEL PIPE 1 5/8" NOMINAL DIA., SCHEDULE 40.
  5. TENSION WIRE SHALL BE NO. 7 GAUGE GALVANIZED STEEL.
  6. TIE WIRE AND HOG RINGS SHALL BE NO. 9 GAUGE GALVANIZED STEEL.

CHAIN LINK FENCE DETAIL



- NOTES:**
1. TRUSS BARS ARE REQUIRED FOR EACH GATE SECTION AND THE FIRST SPAN ON EACH SIDE OF A CORNER POST ONLY.
  2. CONTRACTOR TO MAKE MINIMAL ADJUSTMENT TO INSURE TOP OF REFLECTOR SIGN CLEARS GATE TOP RAIL AND TRACK WHEN GATE IS OPENED.
  3. INTERMEDIATE SUPPORTS, 8'-0" O.C. MAX. (TYP.)
  4. GREEN PVC PRIVACY SLATS.

CANTILEVER GATE DETAIL

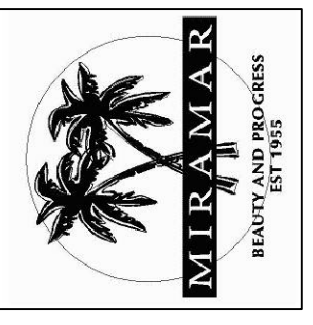


DOUBLE SWING GATE DETAIL

NO.	DATE	BY	M.O.	W.G.	W.G.
1	06/20/12				
2	04/15/13				
3	07/20/14				

WASTEWATER PUMP STATION

CITY OF MIRAMAR  
DEPARTMENT OF  
CONSTRUCTION & FACILITIES MANAGEMENT  
ENGINEERING STANDARDS



SCALE:  
N.T.S.

SHEET NO.  
6 OF 11